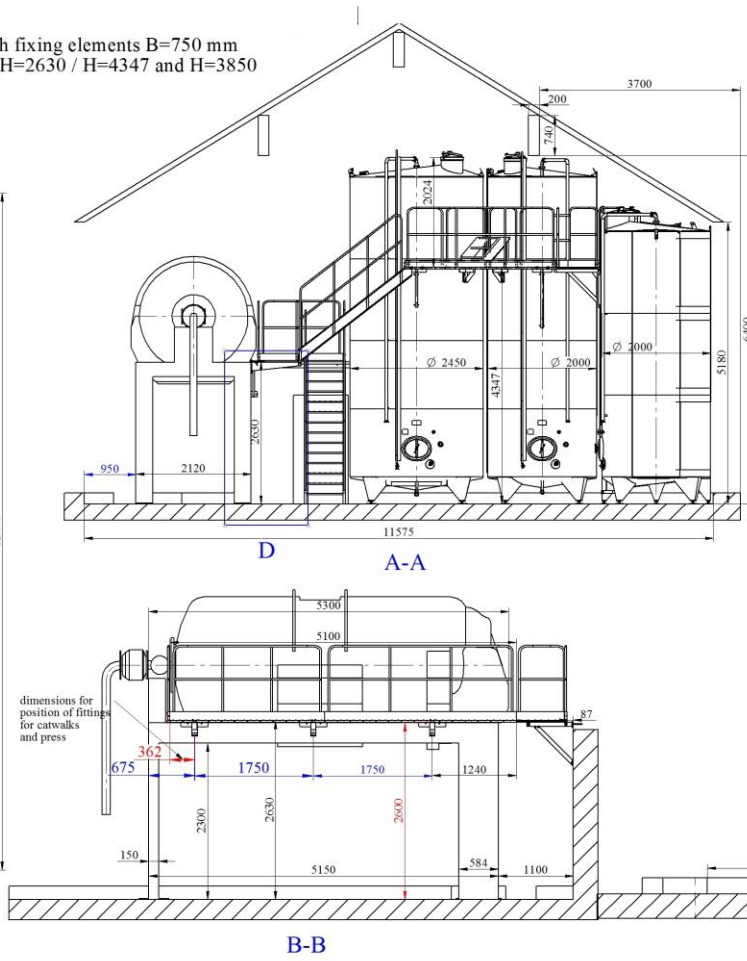
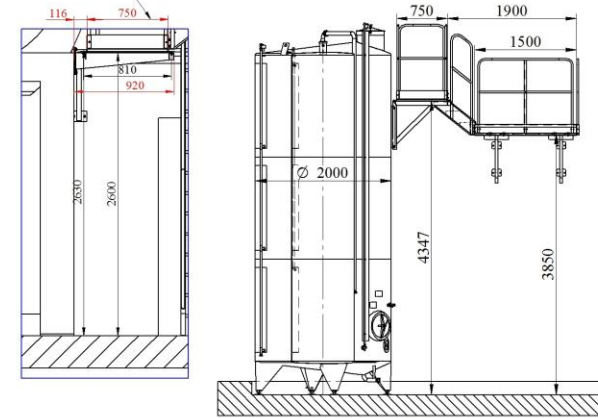


Catwalk with fixing elements B=750 mm and ladders H=2630 / H=4347 and H=3850
10.05.2021



dimensions for position of fittings for catwalks and press



Material: AISI 304

Offer: Rodina-Haskovo JSC

dipl. eng. G. Petkov

Confirm: "Oenotech"-Müller